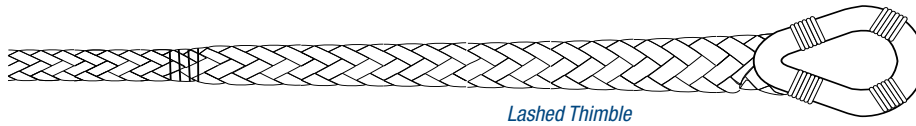


H.D. Hawser Thimble

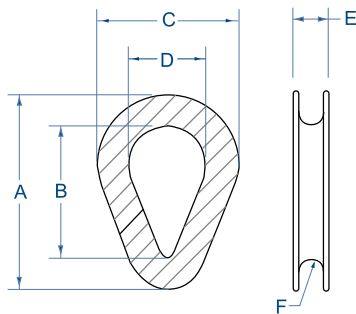
PRODUCT CODE: 933

The cast-steel Heavy Duty Hawser Thimble is designed for use with wire rope or high-performance synthetic fiber ropes such as *AmSteel-Blue*, *Force-8*, and *Turob-DPX*. The galvanized thimble provides smooth and even grooves, maximum strength in critical areas, and the proper bending radius for the rope. When used with synthetic ropes, the thimble eye should be whipped at approximately 2, 4, 8, and 10 o'clock on the thimble circumference to secure it to the rope when not in service.



SIZE DESIGNATION Rope Diameter	SIZE DESIGNATION Rope Circ.	Weight POUNDS	A INCHES	B INCHES	C INCHES	D INCHES	E INCHES	F INCHES	SIZE DESIGNATION Rope Diameter	SIZE DESIGNATION Rope Circ.	Weight KILOGRAMS
5/8" - 3/4"	2" - 2-1/4"	3.5 lb	6.9"	4.5"	5.0"	3.0"	1.2"	0.40"	16 - 18 mm	48 - 54 mm	1.6 kg
7/8" - 1"	2-3/4" - 3"	6.0 lb	8.6"	5.8"	6.3"	3.8"	1.4"	0.50"	22 - 24 mm	66 - 72 mm	2.7 kg
1-1/8" - 1-1/4"	3-1/2" - 3-3/4"	9.5 lb	10.1"	6.8"	7.3"	4.3"	1.7"	0.7"	28 - 30 mm	84 - 90 mm	4.3 kg
1-3/8" - 1-1/2"	4-1/8" - 4-1/2"	18.5 lb	12.1"	8.0"	8.8"	5.0"	2.2"	0.9"	34 - 36 mm	100 - 108 mm	8.4 kg
1-5/8" - 1-3/4"	5" - 5-1/2"	24.0 lb	12.8"	8.0"	9.3"	5.0"	2.4"	0.9"	40 - 44 mm	120 - 132 mm	10.9 kg
1-7/8" - 2"	5-5/8" - 6"	33.5 lb	14.8"	9.5"	10.8"	6.0"	2.7"	1.1"	46 - 48 mm	138 - 144 mm	15.2 kg
2-1/8" - 2-1/4"	6-1/2" - 7"	53.5 lb	17.1"	11.0"	12.5"	7.0"	3.1"	1.2"	52 - 56 mm	156 - 168 mm	24.3 kg
2-3/8" - 2-1/2"	7-1/8" - 7-1/2"	81.5 lb	19.3"	12.8"	14.3"	8.3"	3.9"	1.4"	58 - 60 mm	174 - 180 mm	37.0 kg
2-3/4" - 3"	8-1/2" - 9"	137 lb	24.5"	15.0"	17.0"	9.4"	4.9"	1.6"	68 - 72 mm	204 - 216 mm	61.9 kg

For use with Ultra Blue-8 add 1/4" (6 mm) to the rope diameter to determine the appropriate thimble size.



2090 Thornton Street, Ferndale, WA 98248 USA
 Tel 01.360.384.4669 | Fax 01.360.384.0572
www.SamsonRope.com